

September 3, 2014

Page 1 of 1
Our File: 534-285

**DISTRICT OF LILLOOET
WATER SOURCE REPLACEMENT
CONTRACT #4
FILTRATION TREATMENT PLANT**

**CONTRACT DOCUMENTS AND SPECIFICATIONS
ADDENDUM #4**

This Addendum is being issued prior to the closing of Tenders and is intended as clarification and/or revision of the Contract Documents. This Addendum shall become an integral part of the Contract Documents and Tenderers shall acknowledge receipt on the appropriate page of the Form of Tender.

- (1) Firestone Two ply SBS Roofing Products have been approved as equals to products specified in Section 07 52 00.
- (2) CGC's Securock Gypsum Fiber Roof Board has been approved as equal to products specified in Section 07 52 00.
 - a. Products must be installed per manufacturer's requirements.
- (3) 3M Self Adhered Air and Vapour Barrier Membrane 3015 has been approved as equal to products specified in Section 07 27 00.
- (4) Westform Metals Prolok 12 has been approved as an equal to Vic West Prestige Panel.
- (5) The expansion of the existing electrical room will require the contractor to match existing construction. Details are provided on attached drawing 534-285-AD1.
- (6) Rosemount has been approved for Sections 40 91 20 and 40 91 24.

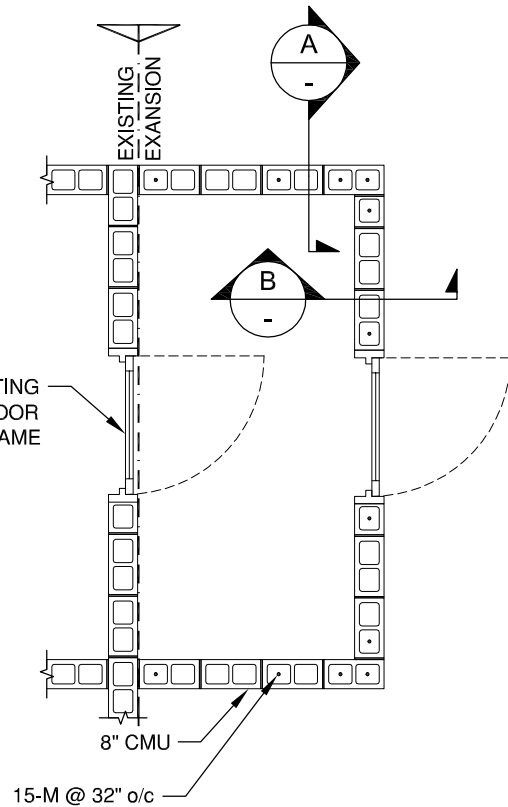


Steve Underwood, P. Eng.

SU/dg

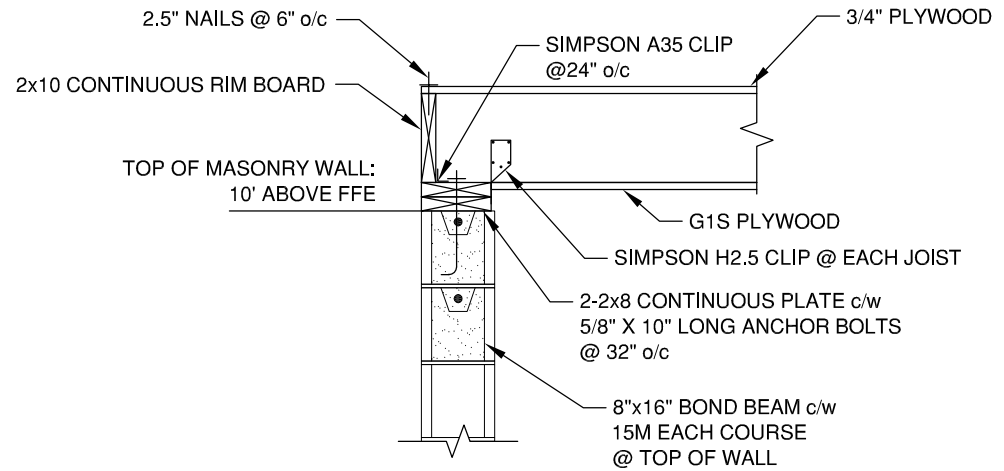
Enclosures

R:\Clients\500-599\534\534-285\07 Contract\Water Source Replacement - Contract 4 - Water Treatment Facility Expansion\Addendum 4\534-285 Addendum #4.doc



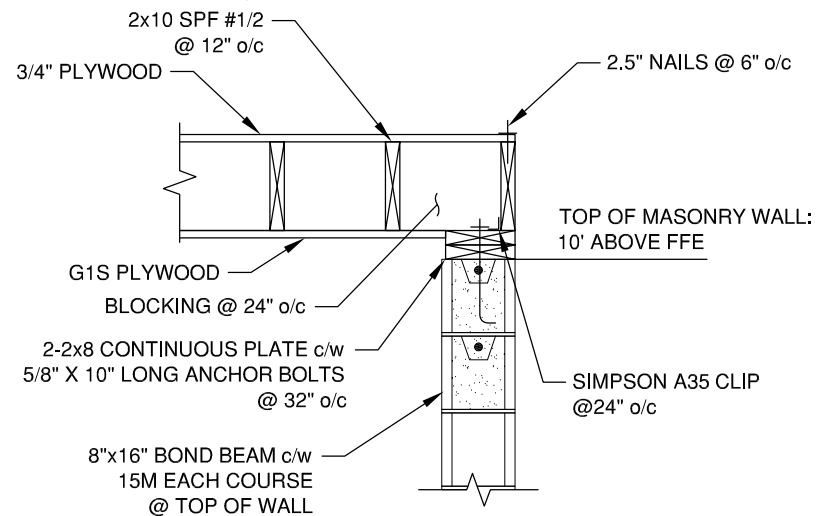
PLAN

1:50



A SECTION

1:20



B SECTION

1:20

NOTE: INTERIOR TO BE PAINTED TO MATCH EXISTING ELECTRICAL ROOM

DISTRICT OF LILLOOET

**WATER SOURCE REPLACEMENT
CONTRACT #4
ELECTRICAL ROOM EXPANSION DETAILS**



DWN. BY: DG
DATE: SEP/02/14

DSGN. BY: DG/SU

SCALE: AS NOTED

DWG. NO.: REV.:

AD1
534-285

1